

WARRANTY

Limited 10-year warranty on main post and metal structure

Limited 5-year warranty on moving parts and bearings

Limited 5-year warranty on seats and backrests

Limited 2-year warranty on on footrests, armrests and rubber parts

SAFETY

The adult outdoor fitness equipment is not intended for use by individuals younger than 14 years old.

Distributors:

THE SWEETMAN GROUP INC.
O/A THE PLAYGROUND GUYS,
P.O.Box 4031, Olds, Alberta, T4H 1P7

Ph. 1-800-663-6711

www.playgroundguy.com

Email: office@playgroundguy.com

a **Qitele**® Company



OUTDOOR FITNESS GUIDE



Introducing Q-Fitness from KidsTale

Create a Lifestyle with our Outdoor Fitness Equipment

The Sweetman Group, Inc. owns and operates Fitness Outdoors and The Playground Guys. We are a family-run business, specializing in recreation equipment for all ages. We are proud to bring to you the most innovative concept in outdoor fitness equipment in the last 25 years. We are a proud Canadian company based in Olds, Alberta serving the needs of Western Canadians since 1984.

Designed to meet health needs and promote active living amongst teens, adults and seniors in your community, this equipment provides opportunities for users to prolong their active life by increasing mobility and flexibility.

When you install Q-Fitness equipment from The Sweetman Group, you can rest assured it has the reputation and experience of the KidsTale brand built right in. Tens of thousands of these life-enhancing fitness units are already serving communities worldwide, and now they're in Canada!

Talk to us about how you can turn your park, recreation area, or open green space into a community fitness centre, providing your entire community with access to commercial quality exercise equipment.

To create a fun social fitness environment for your community, call us today at 1-800-663-6711 or Local, 403-556-7300.

Find us on Facebook - www.facebook.com/FitnessOutdoors



FS-0003
UNIT SIZE: 71" x 63" x 93"
TRIPLE CHIN-UP



FS-0006
UNIT SIZE: 74" x 16" x 65"
DOUBLE LEG PRESS



FS-0002
UNIT SIZE: 41" x 40" x 57"
DOUBLE SHOULDER ROTATOR



FS-0001
UNIT SIZE: 69" x 29" x 89"
DOUBLE CHEST PRESS



FS-0022
UNIT SIZE: 81" x 34" x 77"
DOUBLE LAT PULL DOWN



FS-0007
UNIT SIZE: 45" x 22" x 57"
SINGLE SKI-RUNNER



FS-0008
UNIT SIZE: 40" x 21" x 57"
SINGLE SKY RUNNER



FS-0004
UNIT SIZE: 35" x 25" x 68"
STRETCHING WHEEL

*It is the responsibility of the owner to ensure appropriate resilient surface is installed under all playground equipment.



FS-0010
UNIT SIZE: 86" x 21" x 54"
DOUBLE SKY RUNNER



FS-0037
UNIT SIZE: 39" x 22" x 57"
SINGLE GLIDER



FS-0038
UNIT SIZE: 62" x 22" x 57"
DOUBLE GLIDER



FS-0024
UNIT SIZE: 65" x 64" x 28"
DOUBLE SIT-UP BENCH



FS-0031
UNIT SIZE: 82" x 74" x 71"
MULTIGYM



FS-0050
UNIT SIZE: 41" x 22" x 45"
FIT CYCLE



FS-0014
UNIT SIZE: 59" x 52" x 50"
TRIPLE BODY TWISTER



FS-0023
UNIT SIZE: 60" x 33" x 37"
SINGLE ROWER



FS-0045
UNIT SIZE: 75" x 33" x 77"
ACCESSIBLE CHEST PRESS
& LAT PULL DOWN



FS-0048
UNIT SIZE: 34" x 40" x 53"
ACCESSIBLE STRETCHING WHEEL
& SHOULDER ROTATOR



FS-0049
UNIT SIZE: 36" x 20" x 45"
ACCESSIBLE VERTICAL PRESS
& ARM TRAINER



FS-0017
UNIT SIZE: 73" x 22" x 66"
DOUBLE DIP STATION



FS-0015
UNIT SIZE: 65" x 65" x 98"
TRIPLE HORIZONTAL BAR



FS-0011
UNIT SIZE: 34" x 24" x 48"
SINGLE FIT RIDER



RFS-0001
UNIT SIZE:
ROYAL DOUBLE CHEST PRESS



RFS-0022
UNIT SIZE:
ROYAL DOUBLE LAT PULL DOWN



RFS-0004
UNIT SIZE:
ROYAL DOUBLE
STRETCHING WHEEL



RFS-0002
UNIT SIZE:
ROYAL DOUBLE SHOULDER
ROTATOR



FS-0010
UNIT SIZE: 86" x 21" x 54"
DOUBLE SKY RUNNER



RFS-0023
UNIT SIZE:
ROYAL DOUBLE LAT ROWER



RFS-0037
UNIT SIZE:
ROYAL DOUBLE GLIDER



RFS-0006
UNIT SIZE:
ROYAL DOUBLE LEG PRESS



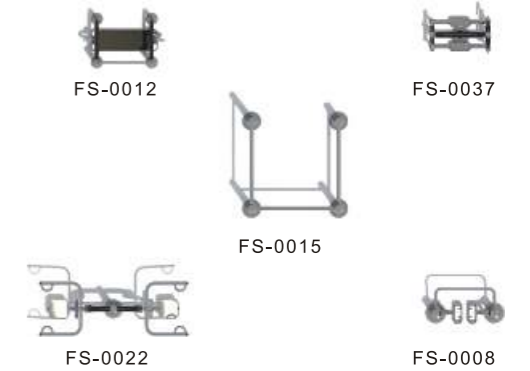
RFS-0024
UNIT SIZE:
ROYAL DOUBLE SIT-UP
BENCH



RFS-0014
UNIT SIZE:
ROYAL DOUBLE BODY
TWISTER



FT-1601
AGE GROUP: 13 AND UP UNIT SIZE: 34" x 18"



NUMBER OF STATIONS: 5



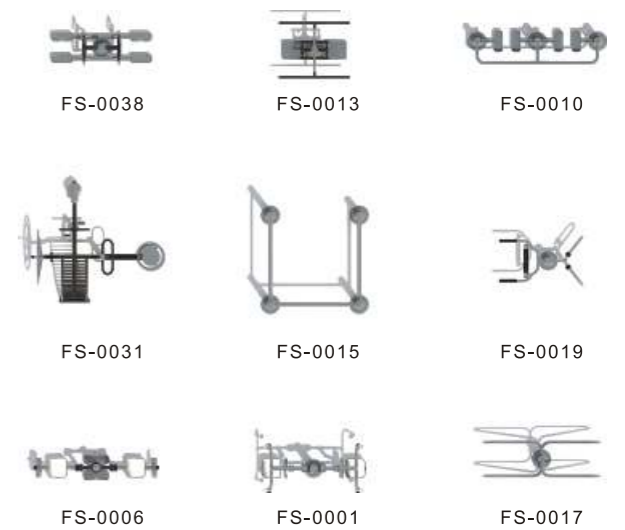
FT-1602
AGE GROUP: 13 AND UP UNIT SIZE: 36" x 27"



NUMBER OF STATIONS: 7



FT-1603
AGE GROUP: 13 AND UP UNIT SIZE: 38" x 29"



NUMBER OF STATIONS: 9

*It is the responsibility of the owner to ensure appropriate resilient surface is installed under all playground equipment.